

LAXVIK

DESIGN

Jon Karlsson

CARE INSTRUCTION

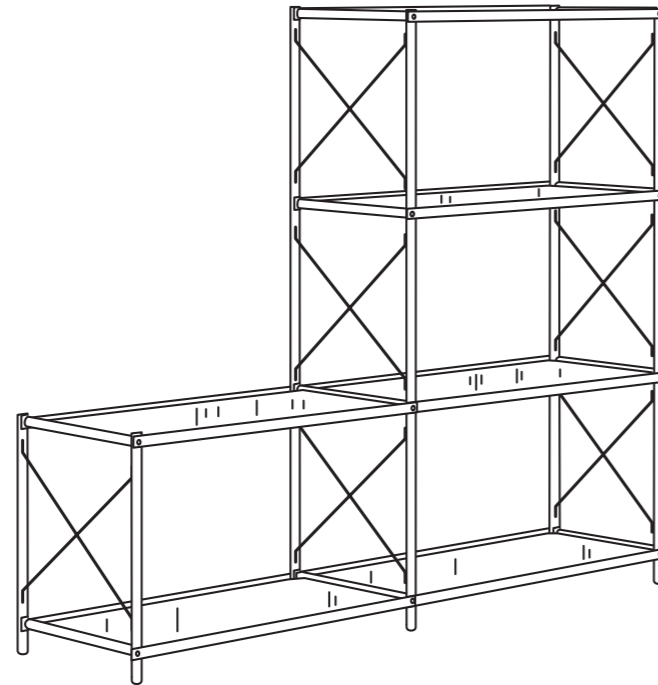
Wipe clean with a cloth dampened in a mild cleaner.
Wipe dry with a clean cloth.

GOOD TO KNOW

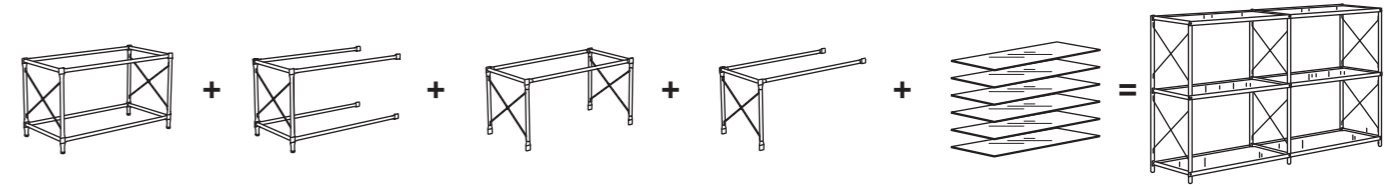
Assemble the shelf before putting the glass shelves in place.
Shelves are sold separately.

SAFETY

We recommend you to fix the furniture to the wall with the enclosed safety bracket to prevent it from tipping over if a child climbs or hangs on it. Different wall materials require different types of fixing devices. Use fixing devices suitable for the walls in your home (not included).



HOW TO BUILD



With LAXVIK storage system in metal and glass you can create a shelf unit that suits both your room and your needs. You can build high, low or wide. Start with a basic unit and then build horizontally, as wide as you like, with add-on shelf units for basic unit. Once you've built the shelf unit to the desired width, you can start building upwards by adding one height extension for basic unit. Then you continue to work sideways,

adding as many add-on unit height extension units as you need. Lastly, you put the glass shelves in place and move in your things.

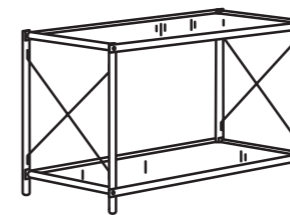
COMBINATIONS

Light, airy sculpture in glass and metal

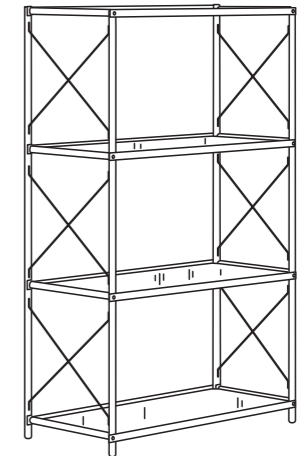
With LAXVIK storage system you can create a shelf unit of glass and metal - exactly the way you want it. High, low, or wide. A long, low combination may fit well under the window or behind the sofa. If you want to cover an entire wall vertically, you build upwards. But first complete the system horizontally before adding height extensions, and when you're finished just put the shelves in place. Choose between black glass and clear glass. We also have a matching black glass side table and coffee table with the same name.

Handle glass with care

Glass is a beautiful and practical material that adds dimension to your furniture. But it's also fragile and needs to be handled properly. Because your safety is always our highest priority, we only use tempered glass in our furniture. If damaged, tempered glass splits into small pieces that are safe to handle; not sharp shards. Regardless - you should always be sure to handle glass with care.



The basic unit is the foundation for all combinations; add on horizontally or vertically according to your own preferences.
This combination: SR 145 (198.476.64)



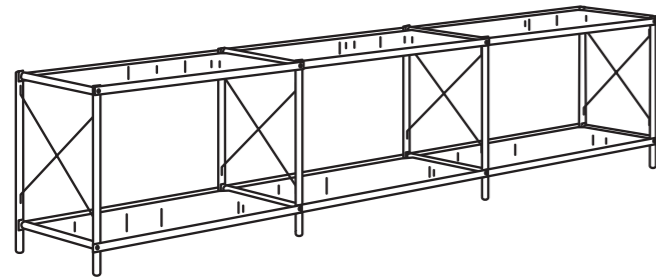
Overall size: 80x127 cm Build vertically and utilise the possibility to store delicate objects out of reach of curious little fingers.
This combination: SR 335 (798.426.25)



Design and Quality
IKEA of Sweden

All the products (shown here) may not be available at the store. Please contact the staff for more information.
For more detailed product information, see the price-tag and the Internet. All units require assembly.

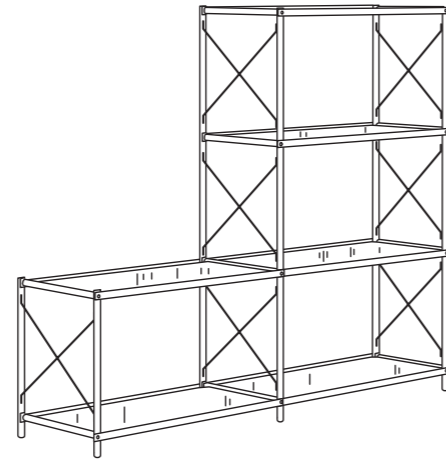
COMBINATIONS



A low and wide combination; provides plenty of storage space under a window, for example.

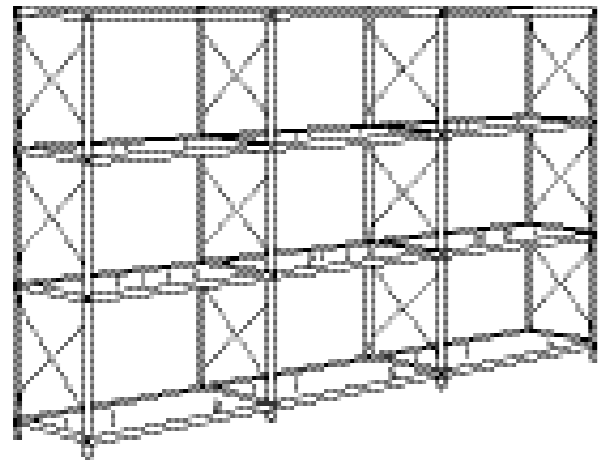
Overall size: 240x47 cm

This combination: SR 405 (498.476.86)



Combine high and low storage according to your personal needs. Overall size: 160x47x127 cm

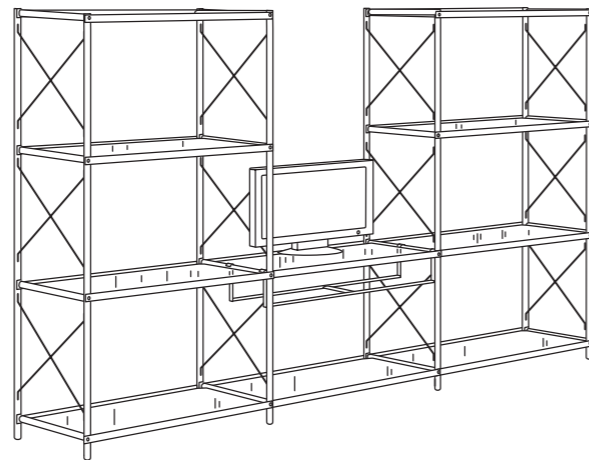
This combination: SR 465 (098.476.88)



Made from glass and metal, even a large storage combination feels airy.

Overall size: 240x127 cm

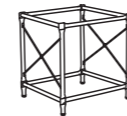
This combination: SR 935 (398.476.82)



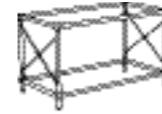
Integrate a TV into the shelf system; provides plenty of space for both a TV and media equipment.

This combination: SR 820 (698.563.78)

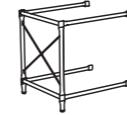
ALL PARTS AND PRICES



LAXVIK **basic unit** 40x47 cm. Depth 40 cm.
Silver-colour. 701.307.86 SR 65



LAXVIK **basic unit** 80x47 cm. Depth 40 cm.
Silver-colour. 901.147.47 SR 75



LAXVIK **add-on unit for basic unit** 40x47 cm. Depth 40 cm.
Silver-colour. 801.307.81 SR 45



LAXVIK **add-on unit for basic unit** 80x47 cm. Depth 40 cm.
Silver-colour. 701.147.48 SR 60



LAXVIK **height extension for basic unit** 40x40 cm.
Depth 40 cm.
Silver-colour. 901.307.85 SR 50



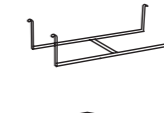
LAXVIK **height extension for basic unit** 80x40 cm.
Depth 40 cm.
Silver-colour. 601.147.44 SR 60



LAXVIK **add-on unit height extension unit** 40x40 cm.
Depth 40 cm.
Silver-colour. 201.307.84 SR 45



LAXVIK **add-on unit height extension unit** 80x40 cm.
Depth 40 cm.
Silver-colour. 301.147.45 SR 50



LAXVIK **media shelf**. For video, DVD recorder or other media equipment.
Silver-colour. 201.307.79 SR 35



LAXVIK **glass shelf** 36x36 cm. Max. load 25 kg.
Clear glass. 401.307.83 SR 25
Black. 001.316.14 SR 25



LAXVIK **glass shelf** 76x36 cm. Max. load 25 kg.
Clear glass. 101.147.46 SR 35
Black. 501.147.49 SR 35



LAXVIK **coffee table** 80x80 cm. Height 46 cm.
Silver-colour/black. 101.147.51 SR 275



LAXVIK **side table**. 50x50 cm. Height 46 cm.
Silver-colour/black. 501.165.12 SR 175