

# STOLMEN

## DESIGN:

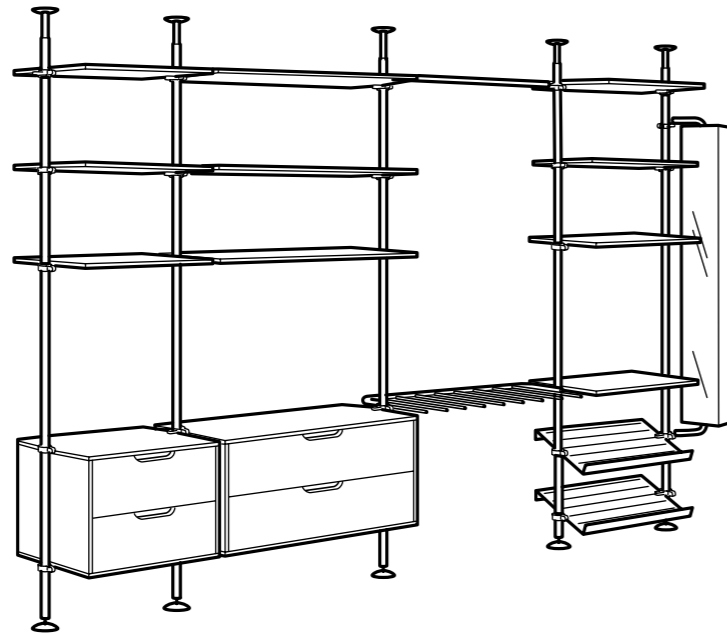
Ehlén Johansson

## SAFETY:

Secure the post to the ceiling, or (if the ceiling is more than 330 cm high, or made of a porous material) anchor the post to the wall with the special wall fittings supplied. Different wall materials require different types of fixing devices. Use fixing devices suitable for the walls in your home (not included).

## CARE INSTRUCTIONS:

Wipe with a damp cloth. Then dry with a clean cloth. Use window-cleaning liquid to keep mirrors sparkling clean.



STOLMEN is flexible in many ways. Screw-fittings on the posts extend to fit ceiling heights from 2.10 m to 3.30 m. If your ceiling is higher, you can secure the posts to the wall with the wall anchors supplied. There are two widths and two depths to choose from, so you can put STOLMEN where you need it – rather than where you can find room for it.

You can adapt or extend STOLMEN storage as you need, whenever you wish – from straight combinations to L- or U-shaped units. You're free to follow our suggested storage solutions or design your very own, fully customised combinations. Whatever you decide, as all the components are available separately.

STOLMEN works just as well as a wardrobe solution as it does in the hall. Thanks to the open-shelf concept you can see everything at a glance. There is even a mirror to help you make sure your clothes are sitting right. Practical hooks, pull-out trays, drawers and trouser hangers create unlimited storage possibilities. And the final decision about the design of your storage combination rests with you.

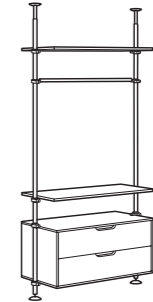


All the products (shown here) may not be available at the store. Please contact the staff for more information. For more detailed product information, see the pricetag. All units require assembly.

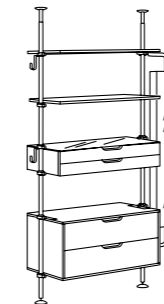
# COMBINATIONS



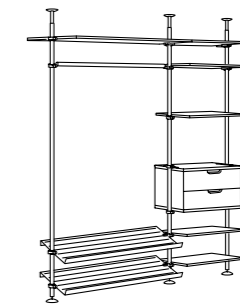
A post with hooks and a mirror provides an effective, space-saving solution in the hall.  
Overall size: 50x210–330 cm  
**This combination 098.495.45 SR 530**



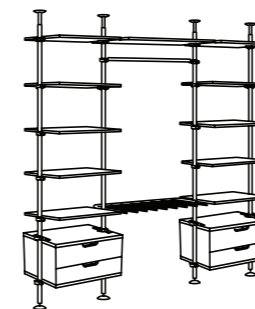
**Start with just two posts.** That's the basic principle. Each storage section is built around two posts and as many or as few components as you need. The solution above is ideal when you first set up home. And you can extend it as your needs (and your family) grow.  
Overall size: 125x50x210–330 cm  
**This combination 798.389.49 SR 1195**



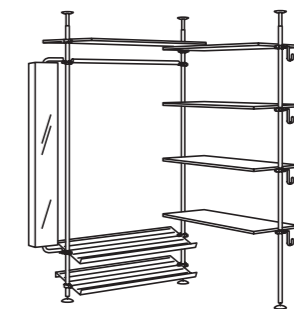
A mirror adds an extra function that makes STOLMEN more than just a storage solution.  
Overall size: 165x50x210–330 cm  
**This combination White: 598.495.43 SR 2045**



This solution is equally practical in the hall and the bedroom.  
Overall size: 190x50x210–330 cm  
**This combination White: 698.495.47 SR 1865**

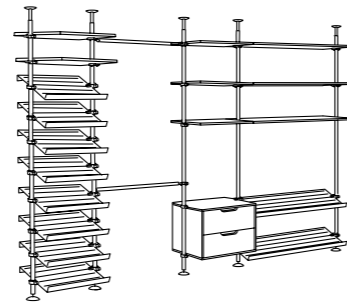
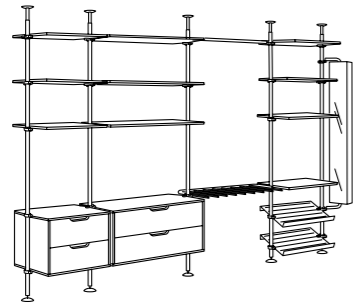


**More people need more storage!** Once there are two of you, the need for storage space increases. But all you need to do is add one or more posts, a clothes rail, drawers, shelves and a trouser hanger. The chests of drawers are perfect for socks, or underwear. Overall size: 247x50x210–330 cm  
**This combination 598.389.50 SR 2960**



**A corner solution need not be a makeshift solution...** but a smart way to use the walls where floor space is limited. When one wall is no longer enough, extend in an L-shape along the next – or maybe on two sides for a U-shaped solution.  
Overall size: 178/150x50x210–330 cm  
**This combination 398.389.51 SR 1795**

# COMBINATIONS



## Open for all clothes storage needs.

STOLMEN open storage solution, complete with clothes rails, trouser hangers and shelves for sweaters, etc. It's just as useful in the hall as in the bedroom. And it's simple to extend or redesign to meet your ever-changing needs.

Overall size: 405x50x210–330 cm

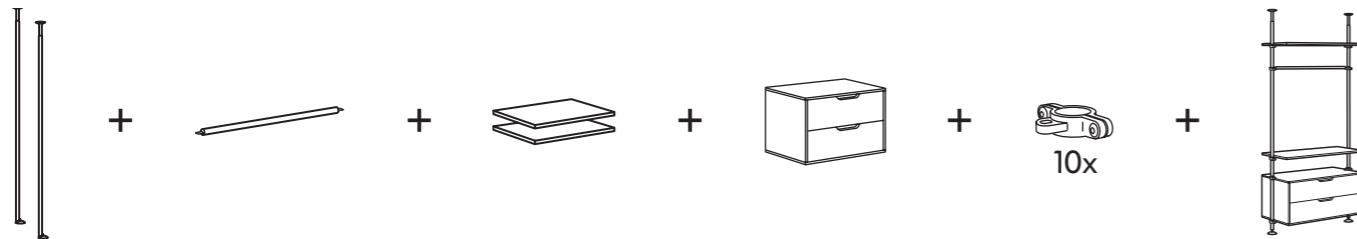
**This combination White: 798.495.37 SR 3545**

Ten shoe racks in different widths give room for many shoes and makes finding the right pair easy.

Overall size: 370x50x210–330 cm

**This combination White: 398.495.44 SR 3160**

# HOW TO BUILD



Plan your clothes storage in five simple steps. It makes it easier to make the right decision.

## 1. Count your clothes

Go through the clothes you have and work out how much you need to store in each category – shoes, dresses, sweaters, trousers, etc.

## 2. Choose a style

You'll find plenty of inspiration from our ready-made solutions in the catalogue, on the Internet and in the store. Consider the various combinations and colours – and choose the one that suits your home best.

## 3. Choose the components

Choose a combination of posts, suspension fittings, clothes rails, shelves, trouser hangers, drawer units, etc. to solve your specific storage needs. Most components come in two widths (55 and 110 cm) and two depths (35 and 50 cm), and the posts expand for use with all ceiling heights 210–330 cm. For ceilings higher than 330 cm, or those made of porous material, use the wall fittings included. Other fittings for the components are sold separately.

One useful hint is to place fittings for shelves, etc. so that they can also be used to hold a mirror or hooks.

## 4. Calculate the width

When calculating the width of your clothes storage solution, don't forget to take the distance between the posts into account. For 55 cm wide components, the distance between the centre of the posts is 62 cm. For 110 cm wide components, it is 117 cm. Add 8 cm for the suspension fittings on each side. (This applies if you choose fittings with two holders, not end fittings.)

## 5. Hand in your order

Once you've planned your storage solution, simply hand in your order at the sales desk in the store. Our sales staff will order all the products and packages you need, so you can collect them at the merchandise pick-up area when you leave the store. Sales staff can also give you full details of the optional financing, home transport and assembly services that are available.

## And for that finishing touch...

... complete your chosen solution with KOMPLEMENT storage boxes and drawers. They give you even more options for a smarter way to store all your clothes!

# ALL PARTS AND PRICES

Width x height x depth.

## Post, aluminium

210-330 cm 700.602.84 **SR 175**

## Suspension fitting with 2 holders, aluminium

1 p 600.762.85 **SR 15**  
6-p 100.896.62 **SR 60**

## End fitting, aluminium.

2 p 701.066.06 **SR 20**

## Shelf.

White/foil  
55x35 cm 300.602.81 **SR 75**  
110x35 cm 500.602.80 **SR 100**  
55x50 cm 900.602.83 **SR 90**  
110x50 cm 100.602.82 **SR 125**  
Black-brown  
55x35 cm 900.896.58 **SR 95**  
110x35 cm 300.896.56 **SR 145**  
55x50 cm 700.896.59 **SR 125**  
110x50 cm 100.896.57 **SR 175**

## Chest of 2 drawers.

White/foil  
55x50x45 cm 700.615.56 **SR 375**  
110x50x45 cm 000.624.70 **SR 475**  
Black-brown  
55x50x45 cm 500.896.55 **SR 495**  
110x50x45 cm 800.896.54 **SR 595**

## Chest of 2 drawers.

White/glass  
110x50x25 cm 001.066.81 **SR 545**

## Trouser hanger, silver-colour.

110 cm 200.624.69 **SR 85**

## Clothes rail, silver-colour.

55 cm 100.602.77 **SR 15**  
110 cm 300.602.76 **SR 20**

## Mirror with storage unit, aluminium.

31,5x151,5 cm 401.067.35 **SR 275**

## Shoe rack, silver-colour.

55 cm 400.624.73 **SR 55**  
110 cm 600.624.72 **SR 85**

## Hook, silver-colour.

8 cm 700.602.79 **SR 5**